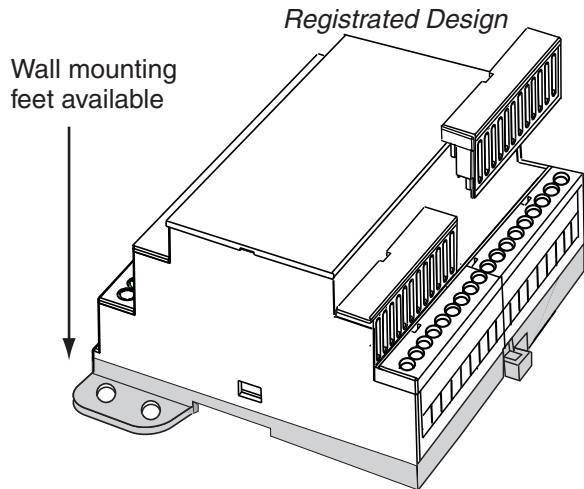


"Intelligent designs for high productivity"

6 MODULE ENCLOSURES FOR M 36 DIN-RAIL BUILDING BLOCK METHOD

SERIES
105
mm



With the advantage of the building block method you can flexibly build your own DIN-rail enclosures with the option of printed circuit boards with terminals on two board levels.

The possibility of mixing single and double covers with different openings for connectors and with and without ventilation gives not only very wide options of connections, but also design wise it offers virtual custom specific enclosure/ designs. Due to designed covers it is possible to add different and individual features to the design.

TECHNICAL DATA:

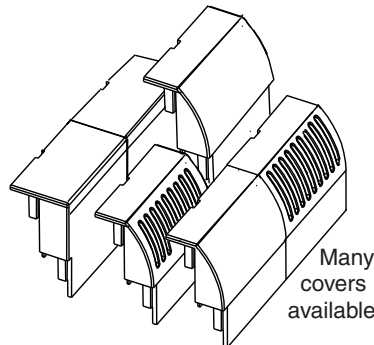
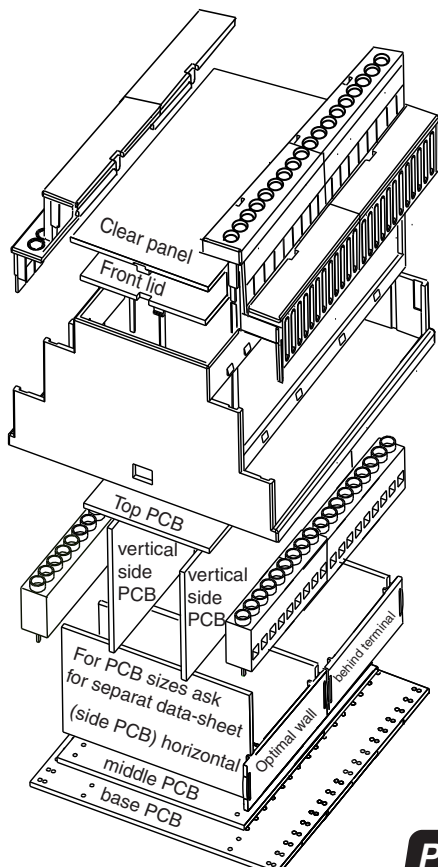
TOP PART:

Material: Lexan 940
 Colour: Grey (RAL 7035)
 Max. temperature: 100°C
 Width: 105 mm
 (6 modules)
 Self-extinguishing: Acc. to UL94-V0

BASE PART:

Material: Noryl VO 1550
 Colour: Black (RAL 7021)
 Max. temperature: 100 C
 Terminals: Up to 72 fixed or
 (8x9) plugable
 Mounting: DIN-rail (EN50022)
 Self-extinguishing: Acc.to UL94-V0

Interconnections in form of pin headers and distance pcs/spacers from board level to board level are available. Red, smoked, transparent lid and open front is available. Hinged lid and extended height is available upon request. Options: Printed numbers and symbols on the cover and colour coded covers. Series 105 is, if requested, available with customer specified holes in front, covers and panels, lid. Proto type PCB, customized label and packing are available.



TYPE 105:	ORDER CODE:
Top part	p/n 8845105001
Cover Low Closed	p/n 8845521001
Cover Low with oval hole (605)	p/n 8845525601
Cover Low, closed, ventilated	p/n 8845525301
Cover Low knock-out	p/n 8845525501
Cover High, closed, 2-steps	p/n 8845525201
Cover High, closed, ventilated	p/n 8845525801
Cover High, closed, curved	p/n 8845525401
Cover, High, closed, curved, ventilated	p/n 8845525701
Base part with clip and 2 screws	p/n 4969021051
Transparent panel	p/n 4969011050
Smoke coloured lid	p/n 4969011051
Red transparent lid	p/n 4969011052
Grey lid	p/n 8845105801
Partition plate (behind terminals)	p/n 8845525111
Terminal 257/18, HO/A, PCB part	p/n 1155718580
Terminal 256/18, wire part	p/n 1155618080
Terminal 605/18, fixed terminals	p/n 3950141808

• For better explanations see our web-side for interactive presentation.

•• Please note that most plugable terminals are in 5,08 pitch and need a bigger hole in the PCB

Many more p/n available - please enquire.