



ENCLOSING ELECTRONICS ONE BOX AT A TIME

ENCLOSURES & ASSEMBLY SERVICES

ENCLOSURES & ASSEMBLY SERVICES

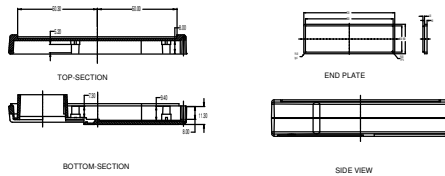
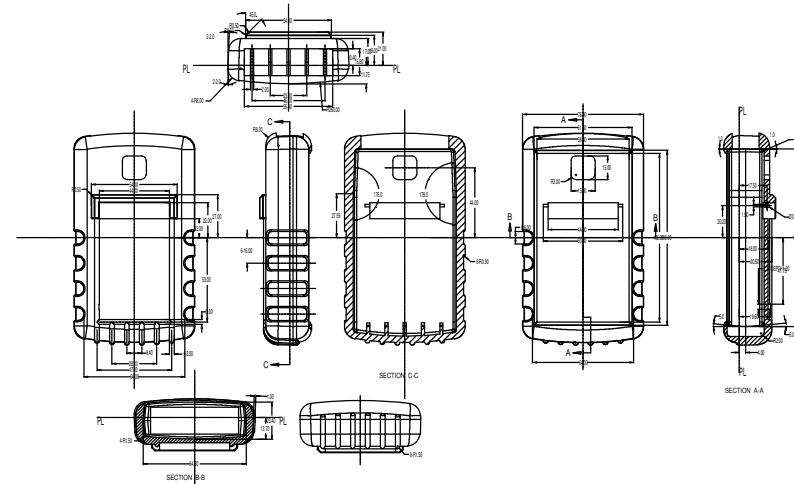
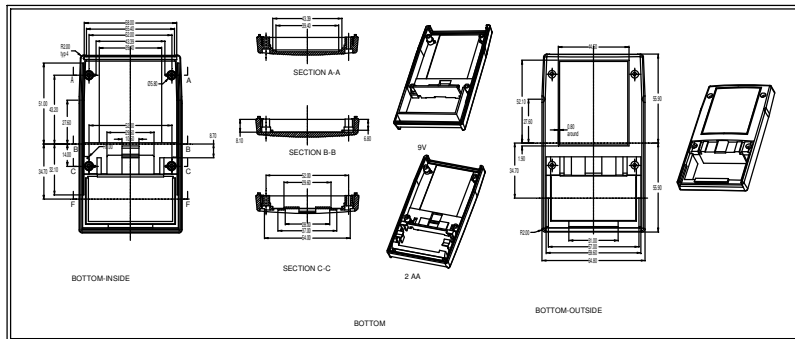
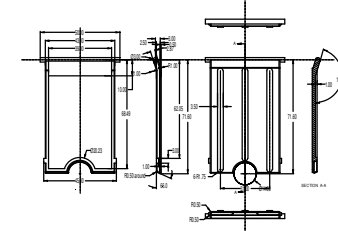
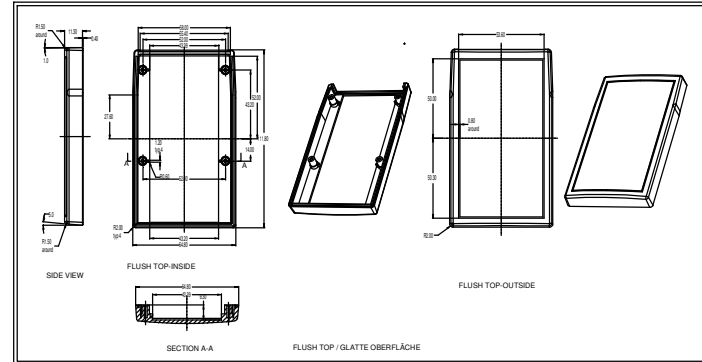
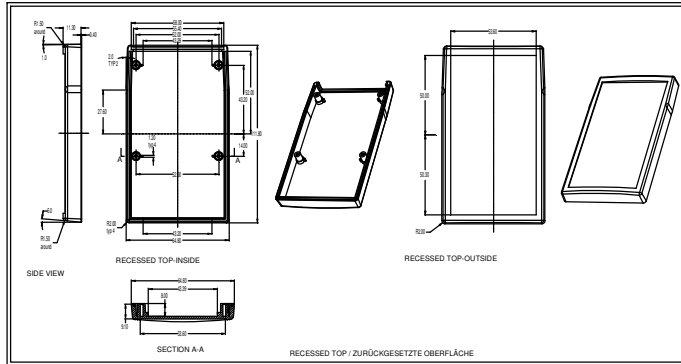
BEDEK GMBH Lüfter und Gehäusetechnik

BOX European Representative  
91550 Dinkelsbühl

TEL: 0049(0)9851-5735-0

www.bedek.de

FAX: 0049(0)9851-5735-57



THIS DRAWING IS THE PROPERTY OF AND MAY EMBODY PROPRIETARY INFORMATION OWNED BY X-Box Enclosures. IT IS PROVIDED UNDER A CONFIDENTIAL RELATIONSHIP FOR A SPECIFIC PURPOSE. THE RECIPIENT AGREES TO USE IT ONLY FOR SUCH PURPOSE AND RETURN IT TO X-Box Enclosures UPON REQUEST.

ENCLOSING ELECTRONICS ONE BOX AT A TIME ENCLOSURES & ASSEMBLY SERVICES		Revision:	
		Model:	
Title <b>60-SERIES</b>		Dwg. No.:	Part No.:
Material:	<b>TOLERANCE</b> all dimension in mm unless otherwise specified. x ? .20 .x ? .10 .xx ? .05 ANGLE ? .5	Color:	Drn. Date Tan zonghaun Apr 10 04
Finish:		Qty:	Chk. Date
Proj.		A4 Sheet 1 of 1	App. Date