



ENCLOSING ELECTRONICS ONE BOX AT A TIME

ENCLOSURES & ASSEMBLY SERVICES

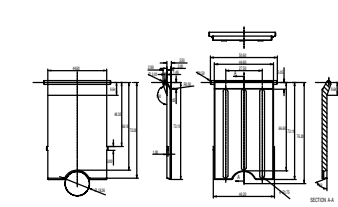
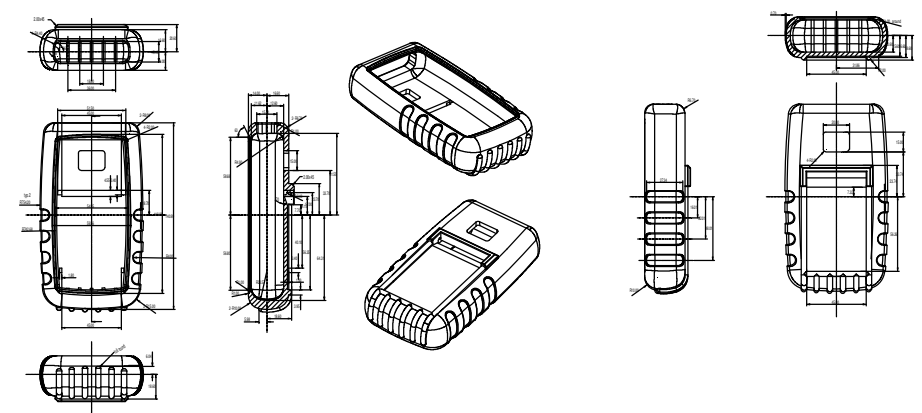
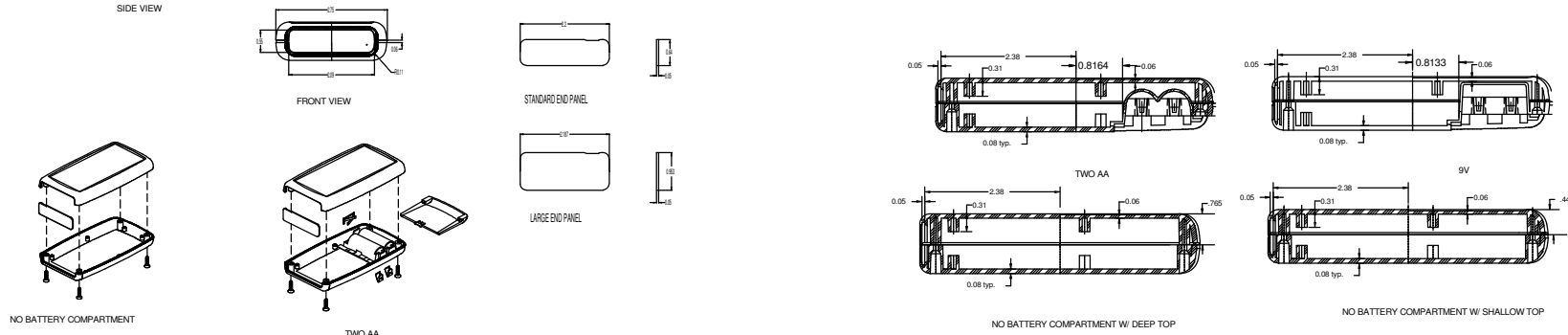
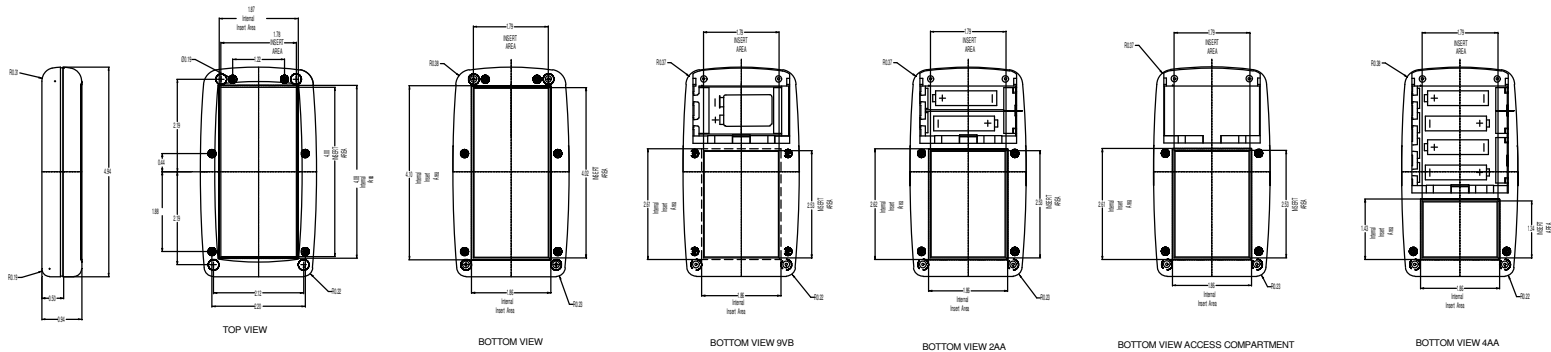
BEDEK GMBH Lüfter und Gehäusetechnik

BOX European Representative
91550 Dinkelsbühl

TEL: 0049(0)9851-5735-0

www.bedek.de

FAX: 0049(0)9851-5735-57



THIS DRAWING IS THE PROPERTY OF AND MAY EMBODY PROPRIETARY INFORMATION OWNED BY X-Box Enclosures®. IT IS PROVIDED UNDER A CONFIDENTIAL RELATIONSHIP FOR A SPECIFIC PURPOSE. THE RECIPIENT AGREES TO USE IT ONLY FOR SUCH PURPOSE AND RETURN IT TO X-Box Enclosure UPON REQUEST.

		ENCLOSING ELECTRONICS ONE BOX AT A TIME		Revision:
		ENCLOSURES & ASSEMBLY SERVICES		Model:
Title		55-SERIES	Dwg. No.:	Part No.:
Material:	TOLERANCE all dimension in mm unless otherwise specified. x ? .20 .x ? .10 .xx ? .05 ANGLE ? .5		Color:	Drn. Date Tan zonghaun Apr 10 04
Finish:			Qty:	Chk. Date
Proj.		A4	Sheet 1 of 1	App. Date