



ENCLOSING ELECTRONICS ONE BOX AT A TIME

ENCLOSURES & ASSEMBLY SERVICES
ENCLOSURES & ASSEMBLY SERVICES

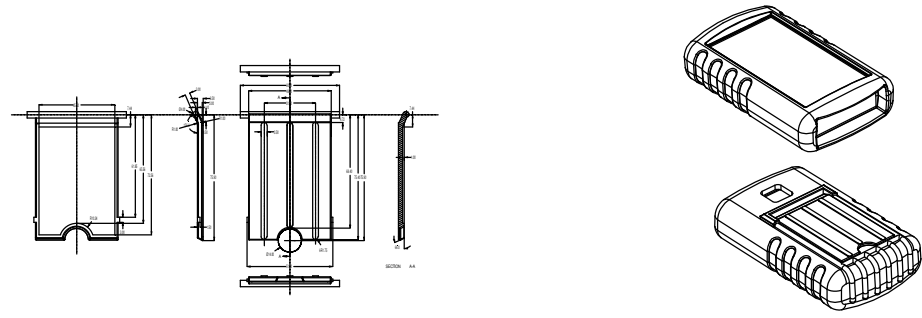
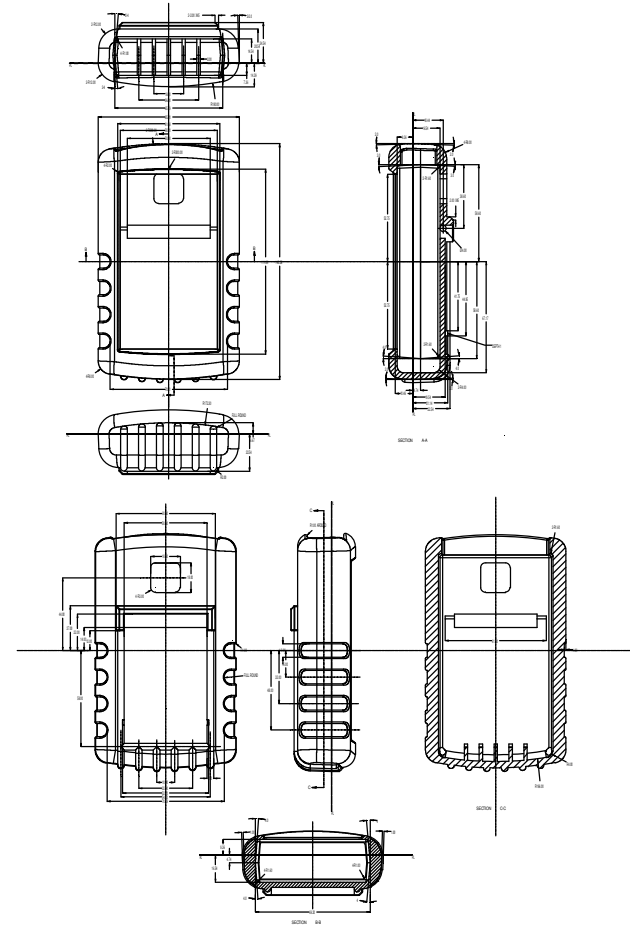
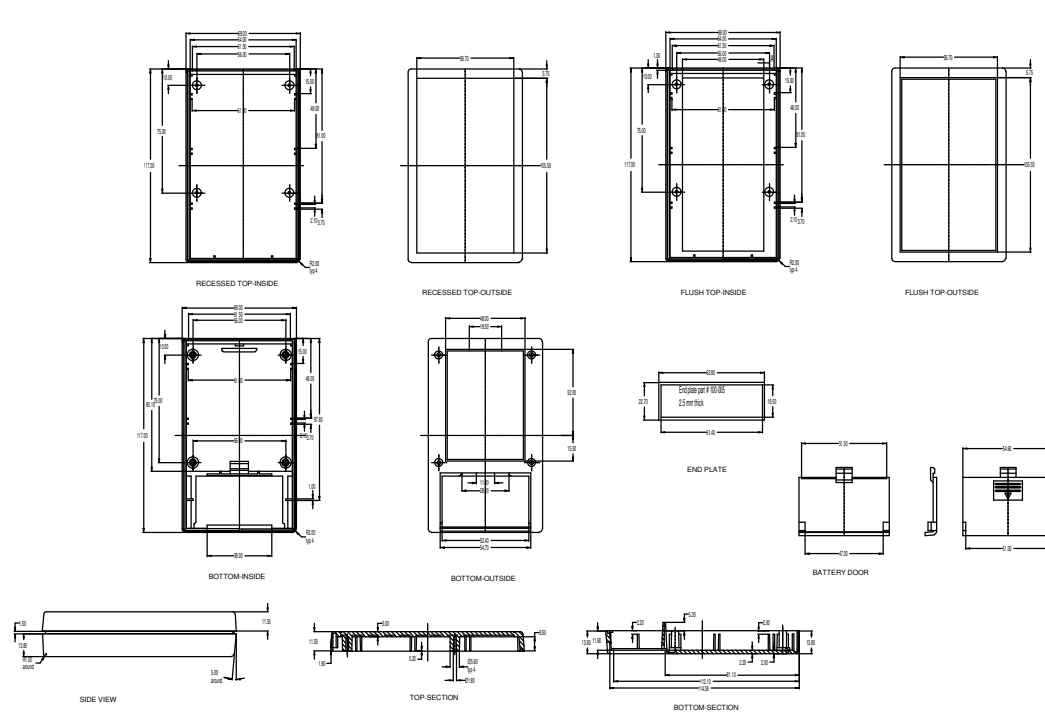
BEDEK GMBH Lüfter und Gehäusetechnik

BOX European Representative
91550 Dinkelsbühl

TEL: 0049(0)9851-5735-0

www.bedek.de

FAX: 0049(0)9851-5735-57



		ENCLOSING ELECTRONICS ONE BOX AT A TIME		Revision:	
ENCLOSURES & ASSEMBLY SERVICES		Title		Model:	
50-SERIES		Dwg. No.:		Part No.:	
Material:		TOLERANCE all dimension in mm unless otherwise specified.		Color:	
Finish:		.x ? .20 .x ? .10 .xx ? .05 ANGLE ? .5		Qty:	
Proj.		A4		Sheet 1 of	
				Drn. Date Tan zonghaun Apr 10 04	
				Chk. Date	
				App. Date	

THIS DRAWING IS THE PROPERTY OF AND MAY EMBODY PROPRIETARY INFORMATION OWNED BY X-Box Enclosures. IT IS PROVIDED UNDER A CONFIDENTIAL RELATIONSHIP FOR A SPECIFIC PURPOSE. THE RECIPIENT AGREES TO USE IT ONLY FOR SUCH PURPOSE AND RETURN IT TO X-Box Enclosures UPON REQUEST.