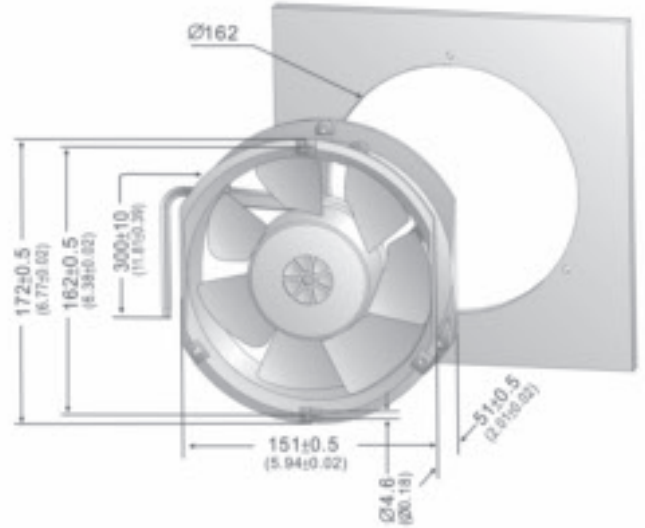
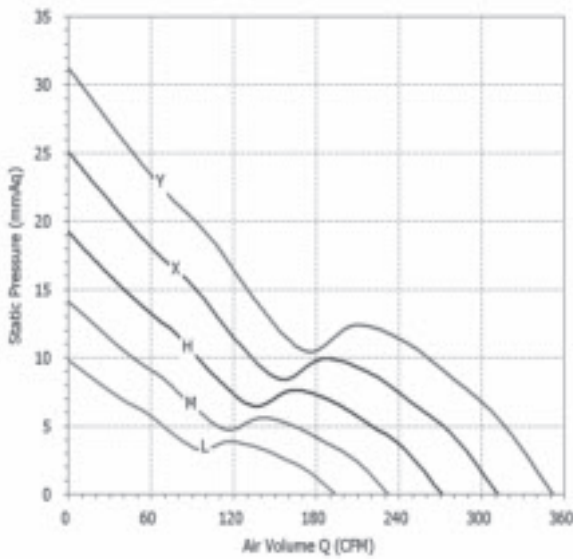


## 170 x 170 x 51 mm –7 (6.77 x 5.91 x 2.00 in)

Frame: Thermoplastic PBT (GF 30%), UL94-V0  
 Impeller: Thermoplastic PBT (GF 15%), UL94-V0  
 Frame Mounting Hole: Flange Type  
 Lead Wire: UL 1007, AWG 22 / 210 mm, Red (+), Black (-)

### PQ GRAPH (AT RATED VOLTAGE)



### AVAILABLE FUNCTIONS

1a. IR	1b. AS	1c. MS	2a. FG	2b. RD	2c. RDb	2d. LD	3. SG/PWM
•	•		•	•	•	•	
4. CV	5a. TPWM	5b. RPWM	6. CL	7. CS	8a. VPWM	8b. IPWM	8c. FPWM
•			•	•			

PART NUMBER	RATED VOLTAGE (RANGE) (VDC)	CURRENT (Amp.)	POWER (W)	SPEED (RPM)	AIR FLOW		PRESSURE		NOISE (dBA)	UNIT WEIGHT (Q'TY/CTN)
					(m3/min)	(CFM)	(mmAq)	(In-H2O)		
* G1751H12BALBx	12 (7-14)	1.600	19.20	2900	7.22	254.80	12.87	0.51	52.82	748g (24pcs)
G1751M12BALBx		0.950	11.40	2500	6.37	224.85	9.42	0.37	49.72	
G1751L12BALBx		0.650	7.80	2100	5.10	180.00	6.65	0.26	44.89	
G1751Y24BALBx	24 (15-27)	1.450	34.80	3500	8.82	311.50	18.82	0.74	58.40	748g (24pcs)
G1751X24BALBx		1.020	24.48	3200	7.93	280.00	15.67	0.62	56.26	
* G1751H24BALBx		0.690	16.56	2900	7.22	254.80	12.87	0.51	52.82	
G1751M24BALBx		0.480	11.52	2500	6.37	224.85	9.42	0.37	49.72	
G1751L24BALBx		0.300	7.20	2100	5.10	180.00	6.65	0.26	44.89	
G1751Y48BALBx	48 (30-57)	0.740	35.52	3500	8.82	311.50	18.82	0.74	58.40	748g (24pcs)
G1751X48BALBx		0.530	25.44	3200	7.93	280.00	15.67	0.62	56.26	
G1751H48BALBx		0.340	16.32	2900	7.22	254.80	12.87	0.51	52.82	
G1751M48BALBx		0.240	11.52	2500	6.37	224.85	9.42	0.37	49.72	
G1751L48BALBx		0.150	7.20	2100	5.10	180.00	6.65	0.26	44.89	

\* small quantities available ex stock

\* All PELKO fans listed here refer to double ball bearing types; Sleeve bearing types may consume about 10% more power for the same speed.  
 \* Specifications are subject to change without notice.