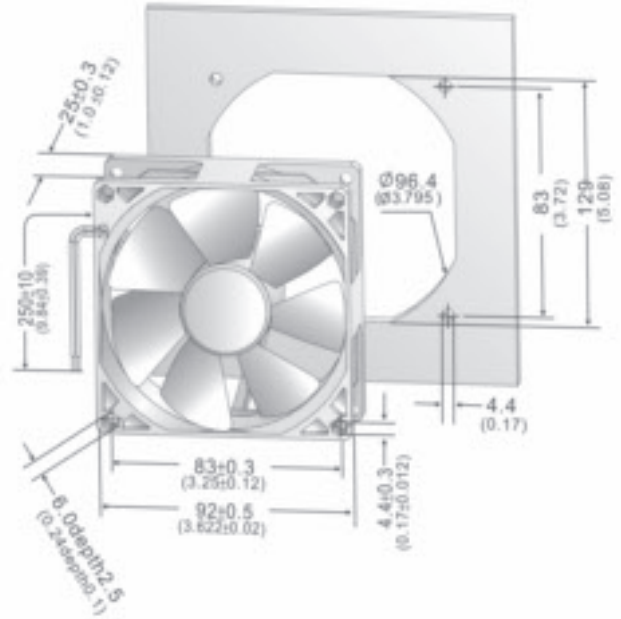
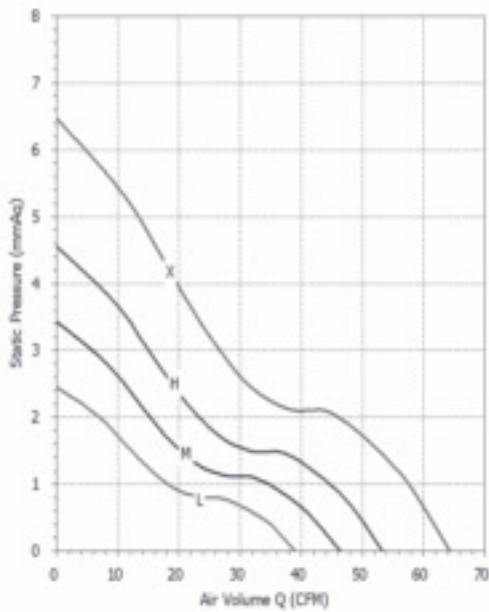


92 x 92 x 25 mm (3.62 x 3.62 x 1.0 in)

Frame: Thermoplastic PBT (GF 30%), UL94-V0
 Impeller: Thermoplastic PBT (GF 15%), UL94-V0
 Frame Mounting Hole: Flange Type
 Lead Wire: UL 1007, AWG 24 / 250 mm, Red (+), Black (-)



PQ GRAPH (AT RATED VOLTAGE)



AVAILABLE FUNCTIONS

1a. IR	1b. AS	1c. MS	2a. FG	2b. RD	2c. RDb	2d. LD	3. SG/PWM
	•		•	•	•		
4. OV	5a. TPWM	5b. RPWM	6. CL	7. CS	8a. VPWM	8b. IPWM	8c. FPWM

PART NUMBER	RATED VOLTAGE (RANGE) (VDC)	CURRENT (Amp.)	POWER (W)	SPEED (RPM)	AIR FLOW		PRESSURE		NOISE (dBA)	UNIT WEIGHT (Q'TY/CTN)
					(m3/min)	(CFM)	(mmAq)	(In-H2O)		
C9225X12BPLBx	12 (7-14)	0.350	4.20	3600	1.82	64.32	6.46	0.25	38.70	106.5g (135pcs)
*C9225H12BPLBx		0.230	2.76	3000	1.51	53.33	4.55	0.18	33.97	
C9225M12BPLBx		0.160	1.92	2600	1.31	46.40	3.42	0.13	30.28	
C9225L12BPLBx		0.120	1.44	2200	1.10	39.00	2.45	0.10	25.64	
C9225X24BPLBx	24 (15-27)	0.167	4.01	3600	1.82	64.32	6.46	0.25	38.70	106.5g (135pcs)
*C9225H24BPLBx		0.120	2.88	3000	1.51	53.33	4.55	0.18	33.97	
C9225M24BPLBx		0.082	1.97	2600	1.31	46.40	3.42	0.13	30.28	
C9225L24BPLBx		0.055	1.32	2200	1.10	39.00	2.45	0.10	25.64	

* small quantities available ex stock

* All PELKO fans listed here refer to double ball bearing types; Sleeve bearing types may consume about 10% more power for the same speed.
 * Specifications are subject to change without notice.