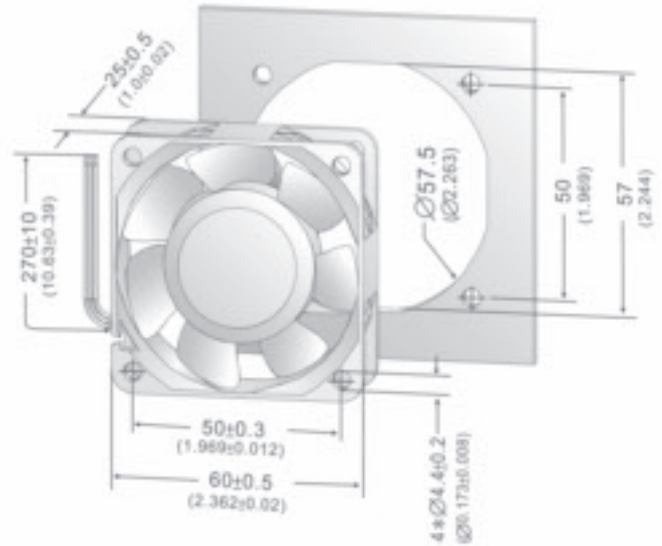
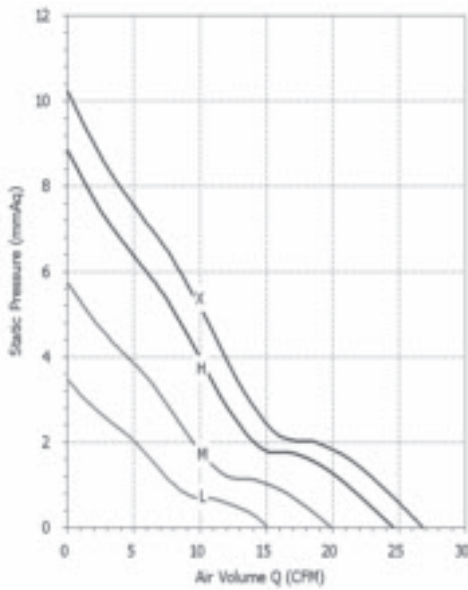


## 60 x 60 x 25 mm -7 (2.36 x 2.36 x 1.0 in)

Frame: Thermoplastic PBT (GF 30%), UL94-V0  
 Impeller: Thermoplastic PBT (GF 15%), UL94-V0  
 Frame Mounting Hole: Rib Type  
 Lead Wire: UL 1007, AWG 24 / 270 mm, Red (+), Black (-)



### PQ GRAPH (AT RATED VOLTAGE)



### AVAILABLE FUNCTIONS

1a. IR	1b. AS	1c. MS	2a. FG	2b. RD	2c. RDb	2d. LD	3. SG/PWM
	•		•	•	•		
4. OV	5a. TPWM	5b. RPWM	6. CL	7. CS	8a. VPWM	8b. IPWM	8c. FPWM

PART NUMBER	RATED VOLTAGE (RANGE) (VDC)	CURRENT (Amp.)	POWER (W)	SPEED (RPM)	AIR FLOW		PRESSURE		NOISE (dBA)	UNIT WEIGHT (Q'TY/CTN)
					(m3/min)	(CFM)	(mmAq)	(In-H2O)		
C6025X12BPLBx	12 (7~14)	0.300	3.60	6000	0.76	26.79	10.23	0.40	40.33	73.5g (224pcs)
*C6025H12BPLBx		0.240	2.88	5500	0.70	24.61	8.85	0.35	38.15	
C6025M12BPLBx		0.155	1.86	4500	0.56	19.88	5.75	0.23	32.77	
C6025L12BPLBx		0.077	0.92	3500	0.43	15.12	3.48	0.14	26.39	
C6025X24BPLBx	24 (15~27)	0.150	3.60	6000	0.76	26.79	10.23	0.40	40.33	73.5g (224pcs)
*C6025H24BPLBx		0.125	3.00	5500	0.70	24.61	8.85	0.35	38.15	
C6025M24BPLBx		0.069	1.66	4500	0.56	19.88	5.75	0.23	32.77	
C6025L24BPLBx		0.043	1.03	3500	0.43	15.12	3.48	0.14	26.39	

\* small quantities available ex stock

\* All PELKO fans listed here refer to double ball bearing types; Sleeve bearing types may consume about 10% more power for the same speed.  
 \* Specifications are subject to change without notice.