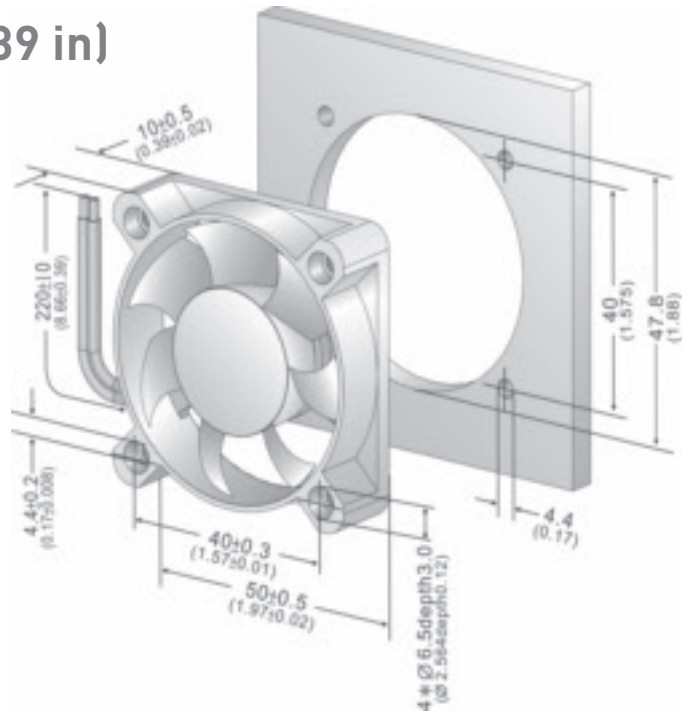
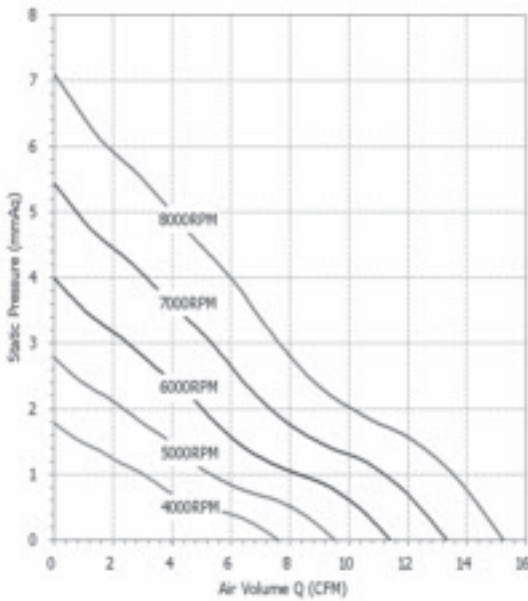


50 x 50 x 10 mm (1.97 x 1.97 x 0.39 in)

Frame: Thermoplastic PBT (GF 30%), UL94-V0
 Impeller: Thermoplastic PBT (GF 15%), UL94-V0
 Frame Mounting Hole: Rib Type
 Lead Wire: UL 1007, AWG 26 / 270 mm, Red (+), Black (-)



PQ GRAPH (AT RATED VOLTAGE)



FUNCTIONS FOR C TYPE

1a. IR	1b. AS	1c. MS	2a. FG	2b. RD	2c. RDb	2d. LD	3. SG/PWM
	•		•	•	•		
4. OV	5a. TPWM	5b. RPWM	6. CL	7. CS	8a. VPWM	8b. IPWM	8c. FPWM

PART NUMBER	RATED VOLTAGE (RANGE) (VDC)	CURRENT (Amp.)	POWER (W)	SPEED (RPM)	AIR FLOW		PRESSURE		NOISE (dBA)	UNIT WEIGHT (Q'TY/CTN)
					(m3/min)	(CFM)	(mmAq)	(In-H2O)		
C5010H05BPLBx	5 (4-6)	0.212	1.06	6000	0.32	11.42	4.00	0.16	30.60	18.6g (800pcs)
C5010M05BPLBx		0.136	0.68	5000	0.27	9.52	2.78	0.11	26.19	
C5010L05BPLBx		0.086	0.43	4000	0.22	7.61	1.78	0.07	21.59	
*C5010H12BPLBx	12 (7-14)	0.095	1.14	6000	0.32	11.42	4.00	0.16	30.60	18.6g (800pcs)
C5010M12BPLBx		0.072	0.86	5000	0.27	9.52	2.78	0.11	26.19	
C5010L12BPLBx		0.048	0.58	4000	0.22	7.61	1.78	0.07	21.59	
C5010H24BPLBx	24 (15-27)	0.103	2.47	8000	0.43	15.23	7.11	0.28	37.94	18.6g (800pcs)
C5010M24BPLBx		0.080	1.92	7000	0.38	13.32	5.44	0.21	34.50	
C5010L24BPLBx		0.060	1.44	6000	0.32	11.42	4.00	0.16	30.60	
D5010H24BPLBx	24 (15-27)	0.090	2.16	8000	0.43	15.23	7.11	0.28	37.94	18.6g (800pcs)
D5010M24BPLBx		0.065	1.56	7000	0.38	13.32	5.44	0.21	34.50	
D5010L24BPLBx		0.040	0.96	6000	0.32	11.42	4.00	0.16	30.60	

* small quantities available ex stock

FUNCTIONS FOR D TYPE

1a. IR	1b. AS	1c. MS	2a. FG	2b. RD	2c. RDb	2d. LD	3. SG
	•		•	•			
4. OV	5a. TPWM	5b. RPWM	6. CL	7. CS	8a. VPWM	8b. IPWM	8c. FPWM

* All PELKO fans listed here refer to double ball bearing types; Sleeve bearing types may consume about 10% more power for the same speed.
 * Specifications are subject to change without notice.