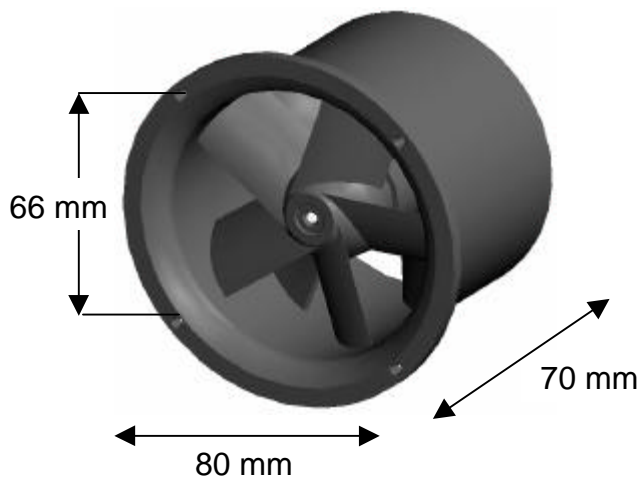
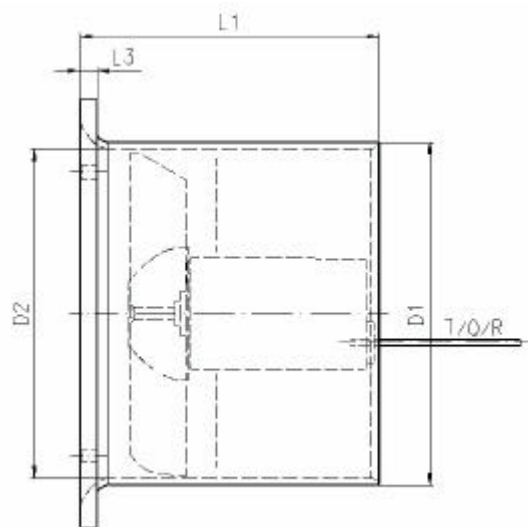


D800 Axial Fan

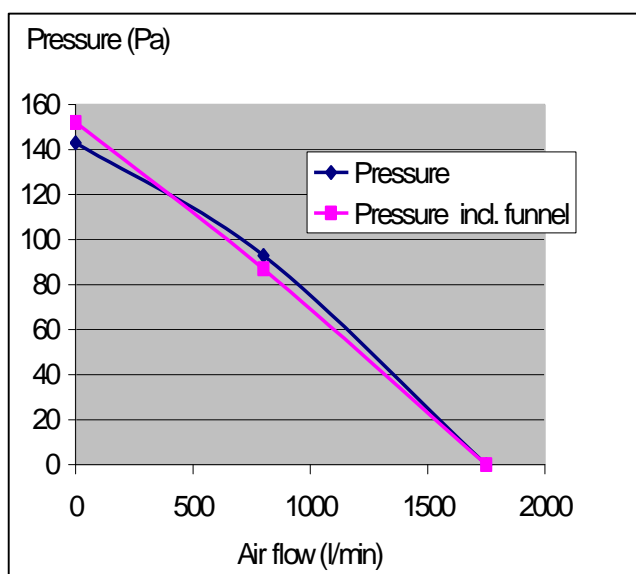


high airflow

D800	mm	inch
D1	80	3.15
D2	77	3.03
L1	70	2.76
L3	4	0.16
T/Q/R	235	9.25



Diagram



Rated voltage	[U _N]	12 V (DC)
Air flow	[V]	1'750 l/min.
Pressure	[p]	150 Pa
Speed in rpm	[n]	7'250 min ⁻¹
Air power	[P _N]	16 W
Current	[I _N]	1'700 mA