

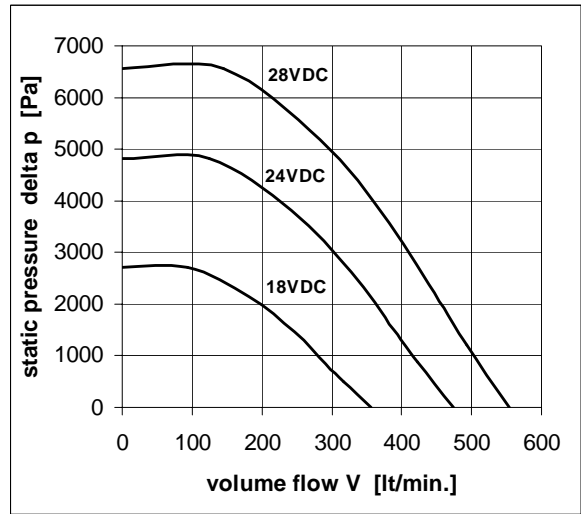


Miniatur Radial Gebläse
Miniature Radial Blower
Ventilateur miniature radial

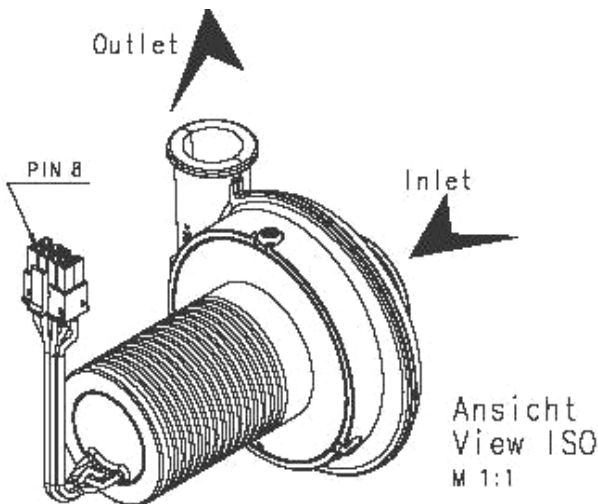


U71HX-024KX-6

24VDC



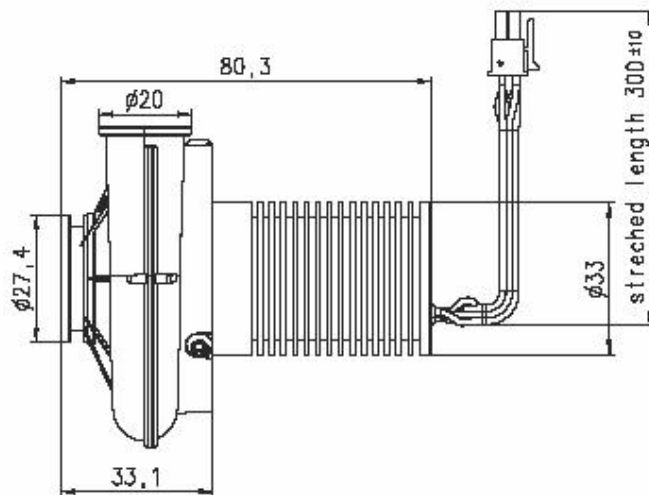
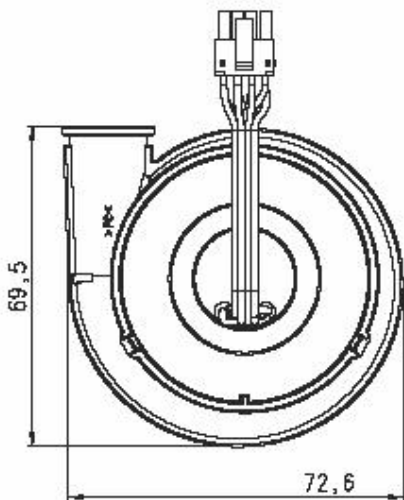
U71HX



Steckerbelegung / connector pin assignment

Pin 1	Hall sensor 1*	blue	AWG24
Pin 2	Hall sensor 2*	black	AWG24
Pin 3	Vhal 4.5...24VDC	yellow	AWG24
Pin 4	Motorwinding 3	orange	AWG24
Pin 5	Hall sensor 3*	grey	AWG24
Pin 6	GND	green	AWG24
Pin 7	Motorwinding 1	brown	AWG24
Pin 8	Motorwinding 2	red	AWG24

* internal Pull-up (7...13 kohm) to Pin 3



Technische Daten

Technical data

Caractéristiques techniques

Motor

elektronisch kommutierter Motor (mit Hallsensoren) ohne integrierte Elektronik (externe Elektronik nötig).

Motor

electronically commutated motor (with hall sensors) without integrated motor controller (external driver required)

Moteur

moteur à commutation électronique (avec hall sensor) sans électronique intégré (électronique externe indispensable)

Standardluftdichte 1.2kg/m³

Standard air density 1.2kg/m³

Densité de l'air standard 1,2 kg/m³

			U71HX-024KX-6	
	U _N	V	24	
	U	V	15.0 - 28.0	
	I _{N freeblowing}	mA	1526	
	I _{N work. point}	mA	849	
	I _{N static}	mA	552	
	I _{block}	A	5	
	P _{N work. point}	W	20.37	
	n freeblowing	min ⁻¹	32345	
	n work. point	min ⁻¹	33103	
	n static	min ⁻¹	33473	
	V freeblowing	l/min	474	
	V work. point	l/min	124	
	p work. point	Pa	4814	
	p static	Pa	4819	
	LpA _(WP)	db(A)	49 dB(A) at 1000 Pa (10 mbar) and 1m distance	
	MTTF _(WP)	hr	20'000 / 25°C	
	T	°C/°F	-20...+45 / -5...+113	
	m	gr/oz	180 / 6.35	
	Leads	mm/inch	300 / 11.8 (AWG24) / Connector Molex Microfit 43025-0800	
	Housing Material		PC / Impeller PA6	
	Sleeve Bearing		N/A	N/A
	Ball Bearing		•	•
	Tacho		•	•

Datas of Blower were measured with controll board H015X-522A9