

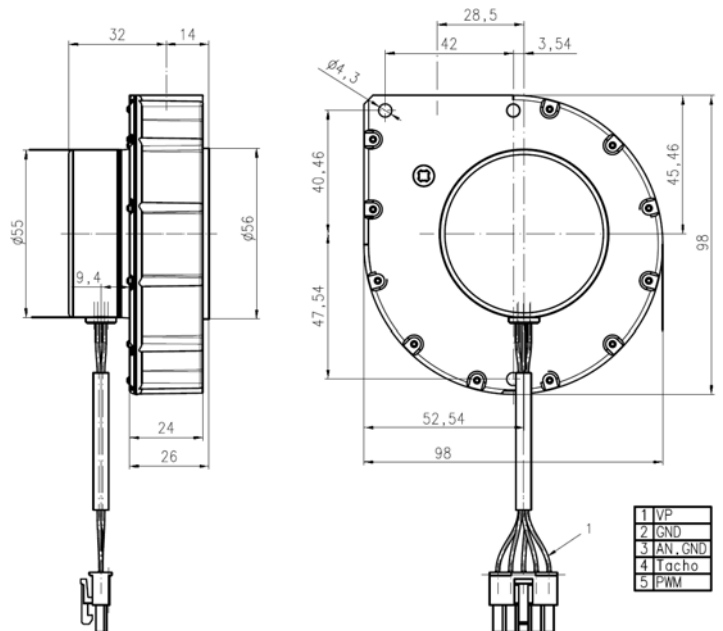
U97DX Radial Fan



explosion proof

U97DX-012KX-9

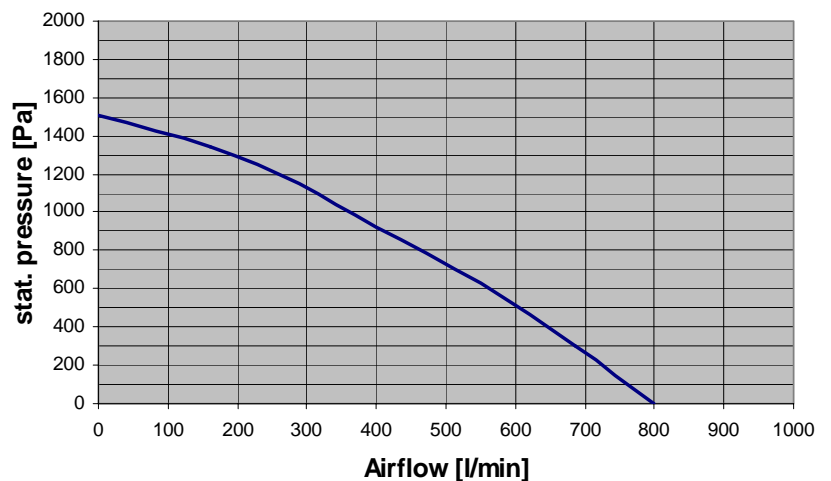
Rated voltage	[U _N]	12VDC
Air flow free blowing	[V]	800 l/min
Stat. pressure	[p]	1500 Pa
Speed in rpm	[n]	14'000 1/min
Current	[I _N]	2140 mA
Motor power	[P _N]	25.6 W



Applications U97DX



U97DX-012KX-9



Instructions for U97DX-012KX-9 (EEX)

Any available power supply can be used, as long as it meets the minimum requirements set out below.

Power supply requirements

Output voltage Vcc min. 7 VDC

12V type: Vcc max. 13,2 VDC

Ripple < 5 % -> external 470µF / 35 V capacitor is necessary

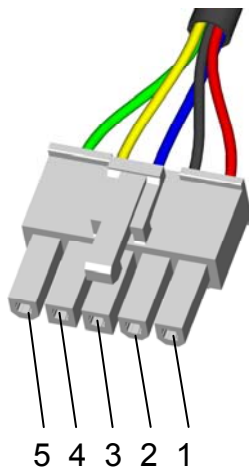
startup current minimum 3A; startup current maximum 7A

Maximal Blower operating current free blowing: 2,13A

➔ for other current limitation by different working conditions see detailed information in the product specification file >> [U97DX-012KX-9_0_Spezifikation.pdf](#) <<

Connector Blower:

MOLEX Serie 5557 Mini Fit Jr. (39-01-4051)



1	VP	red
2	GND	black
3	AN.GND	blue
4	Tacho	yellow
5	PWM	green

Connector Customer:

Wire to Board:

MOLEX Serie 5566vs Mini Fit Jr. (39-30-2050)

Wire to Wire:

MOLEX Serie 5559s Mini Fit Jr. (39-01-4056)

